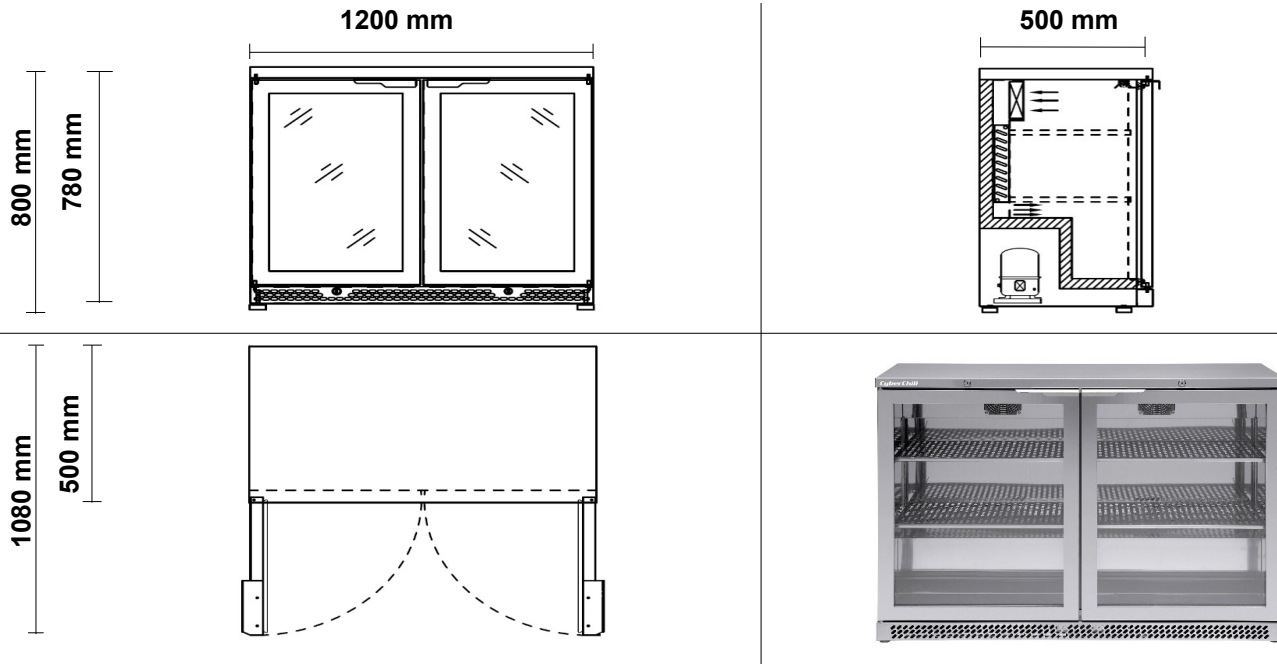


SPECIFICATIONS

TBBS1200-800-GG



43° Topicalised 2-Door Bottle Cooler



Specifications

Refrigeration system	Self-contained, electronically controlled, refrigeration unit		
Refrigerant	R290	Gas Charge	80 g
Electrical	220-240 Volts a.c. 50 Hz	Amps	1.2 Amps
Nominal capacity	450 Watts @ -5°C SST		
Drainage	Waste heat vaporiser located in service compartment (no plumbing required)		
Insulation	35mm thick, high density Zero ODP injected polyurethane insulation		
Cabinet body	304 Stainless Steel Interior & Exterior, Galvanised Steel Back & Base		
Cabinet temperature range	+3°C to +15°C up to 43°C ambient		
kWh/24hr	tbc	Star Rating	tbc
Capacity (300ml bottles)	260 Bottles	Net usable GN volume	tbc
Weight	80 kg	dBA	tbc
Worktop	Integrated stainless steel worktop		
Internal Door / Drawer GN Capacity	2 x Door: 1121mm wide x 313mm deep		
Doors / Drawer Configuration	2 x Lockable Triple Glazed LowE Argon filled glass door(s);		
Shelves	2 x SS Perforated adjustable shelves per door		Total = 4
Options	Solid Doors, Remote, Painted Exterior		
Cabinet dimensions	External		Internal
Width	1200 mm		1130 mm
Depth	500 mm		370 mm
Height	800 mm (excl. legs, castors & worktop)		626 mm

Note: Rear mounted compressor. Please ensure cabinet is removable for maintenance.