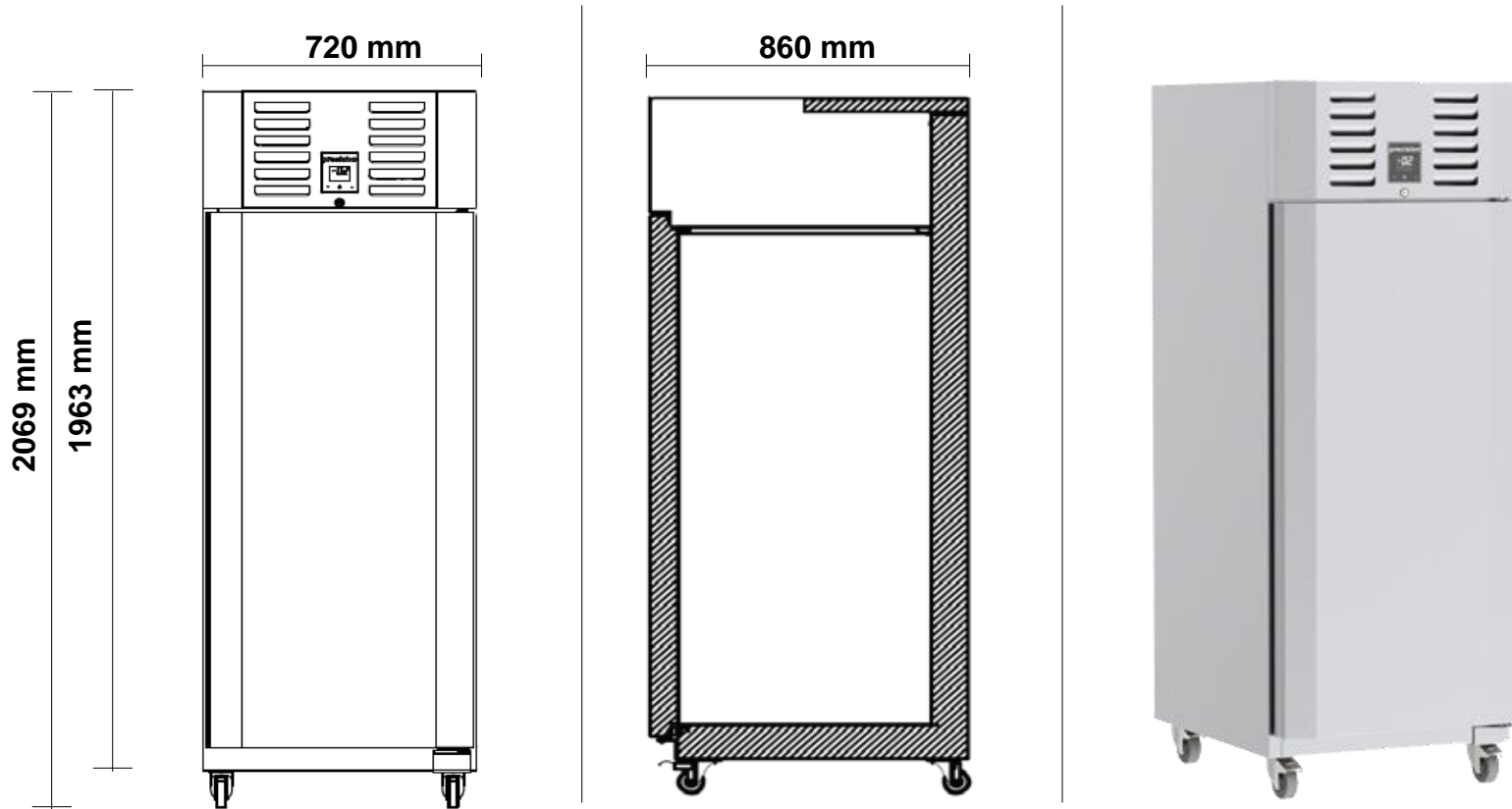


# SPECIFICATIONS

## MPT601-FDR



1-dr Upright Top Mount Chiller



### Specifications

Refrigeration system	Self-contained, top mounted, electronically controlled, refrigeration unit		
Refrigerant	R290	Gas Charge	115 g
Electrical	220-240 Volts a.c. 50 Hz	Amps	1.7 Amps
Nominal capacity	373 Watts @ -10°C SST		
Drainage	Waste heat vaporiser located in service compartment (no plumbing required)		
Insulation	90mm thick, high density Zero ODP injected polyurethane insulation		
Cabinet body	304 Stainless Steel Exterior & Interior, Galvanised Steel Back & Base		
Cabinet temperature range	-2°C to +4°C up to 43°C ambient		
kWh/24hr	1.25 kWh	Star Rating	3 Stars
Cabinet internal volume	600 litres	Net usable GN volume	tbc
Weight	138 kg	dBA	66
Worktop	n/a		
Door Opening	1 x SS Self-Closing Lockable Doors (Accepts full GN1/1 & GN1/2 pans)		
Door Configuration	1 x Stainless Steel Solid Doors		
Shelves	4 x shelves & adjustable tray slides per door		Total = 4
Options	Glass Door, Remote, Legs/Castors		
Cabinet dimensions	External		Internal
	Width	720 mm	557 mm
	Depth	860 mm	657 mm
	Height	1963 mm (excl. legs or castors)	1459 mm