

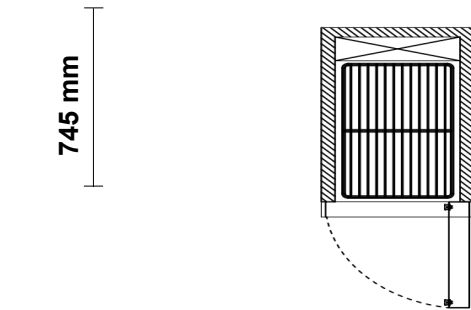
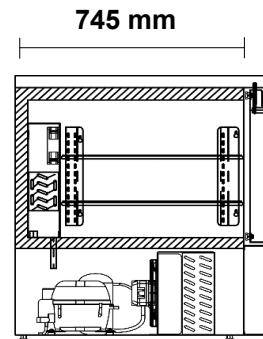
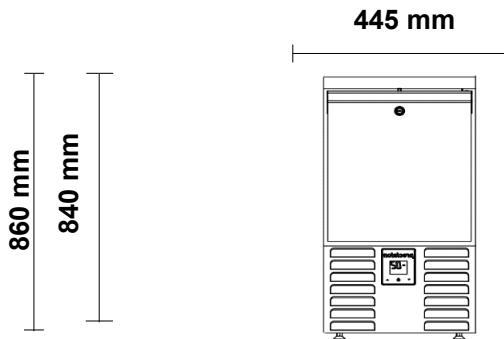
# SPECIFICATIONS

## LSS150-D

# CyberChill

precision  
refrigeration

### 1-door Space Saving Solutions Freezer



### Specifications

Refrigeration system	Self-contained, bottom mounted, electronically controlled, refrigeration unit		
Refrigerant	R290	Gas Charge	80 g
Electrical	220-240 Volts a.c. 50 Hz	Amps	4.4 Amps
Nominal capacity	208 Watts @ -30°C SST		
Drainage	Waste heat vaporiser located in service compartment (no plumbing required)		
Insulation	60mm thick, high density Zero ODP injected polyurethane insulation		
Cabinet body	304 Stainless Steel Interior & Exterior, Galvanised Steel Back & Base		
Cabinet temperature range	-18°C to -22°C up to 43°C ambient		
kWh/24hr	tbc	Star Rating	tbc
Cabinet internal volume	100 litres	Net usable GN volume	46 litres
Weight	70 kg	dBA	52
Worktop	Integrated 40mm stainless steel worktop		
Internal Door / Drawer GN Capacity	1 x Door: Accepts full GN1/1 pans (325mm wide x 530mm deep)		
Doors / Drawer Configuration	1 x SS Lockable, Self-closing solid door(s)		
Shelves	2 x shelves & adjustable tray slides per door		Total = 2
Options	Big Barista Drawer, Half Drawers		
Cabinet dimensions	External	Internal	
Width	445 mm	365 mm	
Depth	745 mm	536 mm	
Height	840 mm (excl. legs, castors & worktop)		448 mm