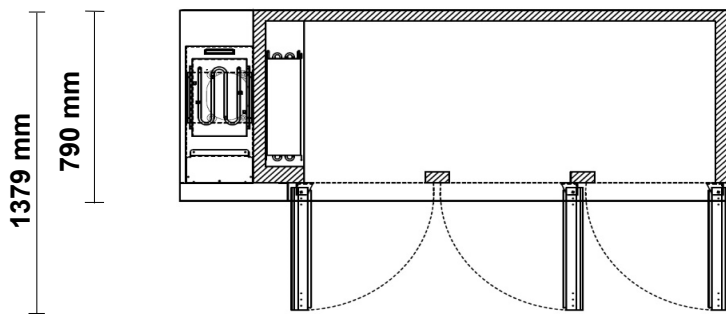
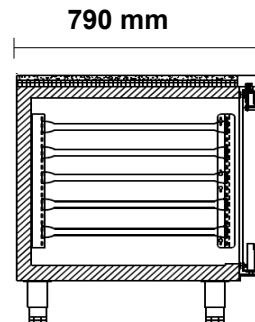
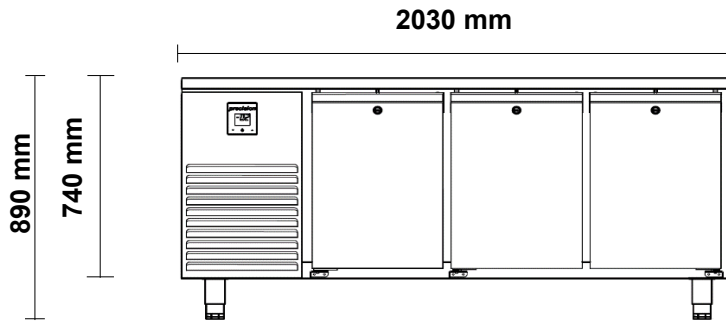


SPECIFICATIONS

LBCU364-UDDD



Bakery Products 3-Door Counter Freezer



Specifications

Refrigeration system	Self-contained, side mounted, electronically controlled, refrigeration unit		
Refrigerant	R290	Gas Charge	80 g
Electrical	220-240 Volts a.c. 50 Hz	Amps	tbc
Nominal capacity	900 Watts @ -10°C SST		
Drainage	Waste heat vaporiser located in service compartment (no plumbing required)		
Insulation	60mm thick, high density Zero ODP injected polyurethane insulation		
Cabinet body	304 Stainless Steel Interior & Exterior, Galvanised Steel Back & Base		
Cabinet temperature range	-18°C to -22°C up to 43°C ambient		
kWh/24hr	tbc	Star Rating	tbc
Cabinet internal volume	550 litres	Net usable GN volume	tbc
Weight	150 kg	dBa	62
Worktop	Removeable 40mm stainless steel worktop		
Internal Door / Drawer GN Capacity	3 x Door: Accepts full Bakery Tray (400mm wide x 600mm deep)		
Doors / Drawer Configuration	3 x SS Lockable, Self-closing solid door(s)		
Tray Slides	5 x Pairs of tray slides per door	Total = 15	
Options	Stainless Steel Back and Base, Additional Slides		
Cabinet dimensions	External		Internal
	Width	2030 mm	1510 mm
	Depth	790 mm	670 mm
	Height	700 mm (excl. legs, castors & worktop)	556 mm