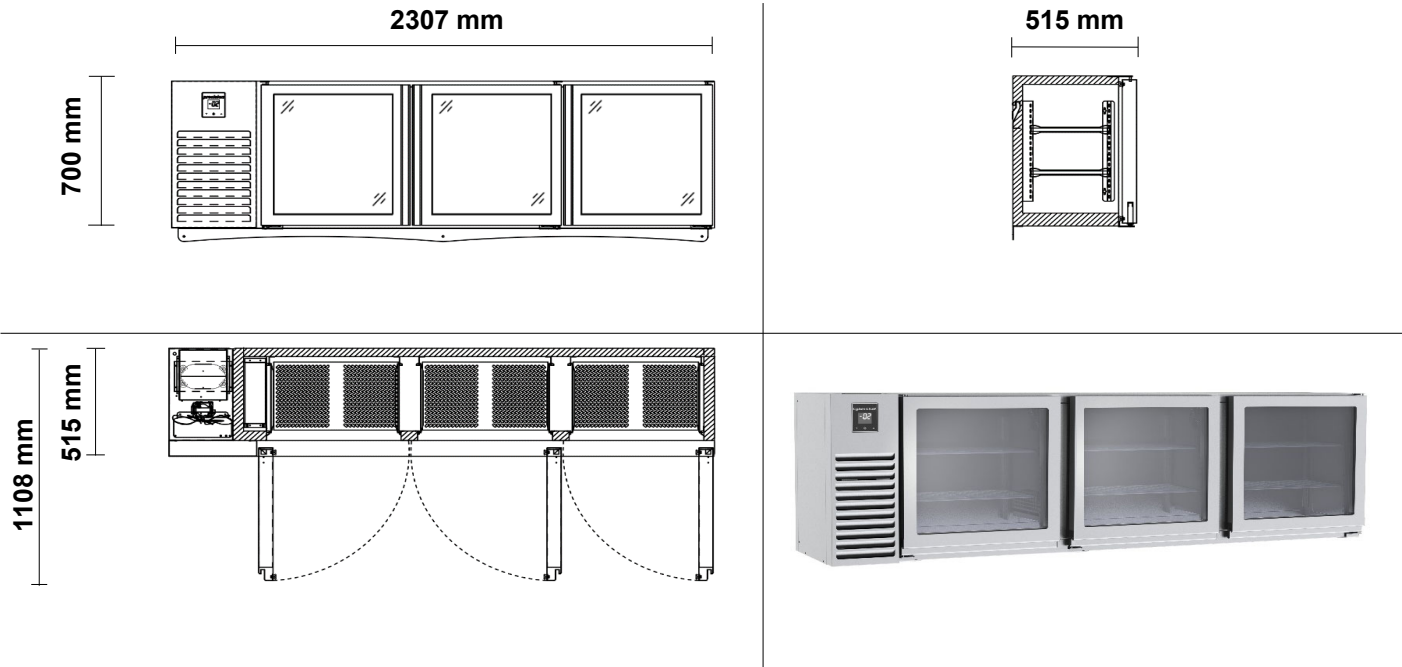


SPECIFICATIONS

HWU311-SS/SS-UGGG



3-Door Integral Wall Cabinet Chiller



Specifications

Refrigeration system	Self-contained, side mounted, electronically controlled, refrigeration unit		
Refrigerant	R290	Gas Charge	90 g
Electrical	220-240 Volts a.c. 50 Hz	Amps	tbc
Nominal capacity	450 Watts @ -5°C SST		
Drainage	Waste heat vaporiser located in service compartment (no plumbing required)		
Insulation	60mm thick, high density Zero ODP injected polyurethane insulation		
Cabinet body	304 Stainless Steel Exterior & Mirror Interior, Galvanised Steel Back & Base		
Cabinet temperature range	+1°C to +4°C up to 43°C ambient		
kWh/24hr	tbc	Star Rating	tbc
Cabinet internal volume	202 litres	Net usable GN volume	tbc
Weight	140 kg	dBA	55
Worktop	n/a		
Door / Drawer	3 x SS Self-Closing Doors		
Doors / Drawer Configuration	3 x Triple Glazed LowE Argon filled Glass Doors;		
Shelves	2 x SS Perforated shelves & adjustable tray slides per door	Total = 6	
Options	Solid doors, Black Stainless Steel Exterior, Floor Mount Model, Lockable Doors		
Cabinet dimensions	External	Internal	
Width	2307 mm	1850 mm	
Depth	515 mm	400 mm	
Height	700 mm (excl. legs, castors & worktop)	600 mm	

Note: A wall mounting kit is included with this cabinet