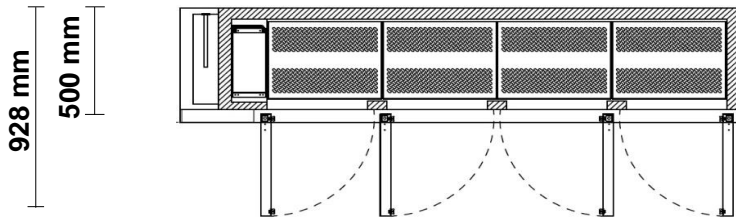
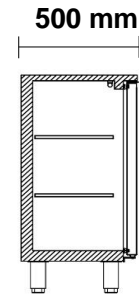
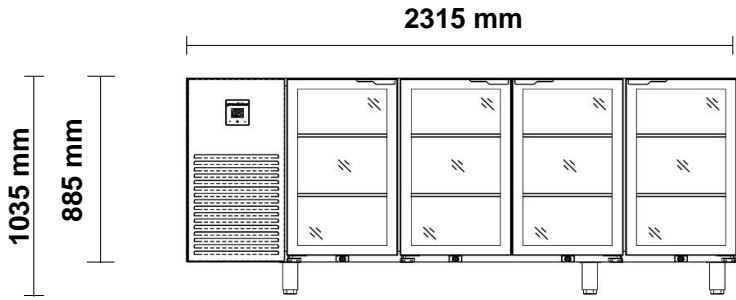


# SPECIFICATIONS

## BBS420-SS/MIR-UGGGG

Slimline Back Bar Heavy Duty 4-Door Chiller



### Specifications

Refrigeration system	Self-contained, side mounted, electronically controlled, refrigeration unit		
Refrigerant	R290	Gas Charge	80 g
Electrical	220-240 Volts a.c. 50 Hz	Amps	1.3 Amps
Nominal capacity	373 Watts @ -5°C SST		
Drainage	Waste heat vaporiser located in service compartment (no plumbing required)		
Insulation	50mm thick, high density Zero ODP injected polyurethane insulation		
Cabinet body	304 Stainless Steel Exterior & Mirror Interior, Galvanised Steel Back & Base		
Cabinet temperature range	+3°C to +15°C up to 43°C ambient		
kWh/24hr	4.73 kWh	Star Rating	7 Stars
Cabinet internal volume	570 litres	Net usable GN volume	tbc
Weight	210 kg	dB(A)	58
Worktop	Integrated 27mm stainless steel worktop		
Door / Drawer	4 x SS Self-Closing Lockable Doors		
Doors / Drawer Configuration	4 x Triple Glazed LowE Argon filled Glass Doors;		
Shelves	2 x SS Perforated shelves & adjustable tray slides per door		Total = 8
Options	Solid / Frameless Glass Doors, Black Exterior, Retro Finish, Half Drawers, etc.		
Cabinet dimensions	External	Internal	
Width	2315 mm	1804 mm	
Depth	500 mm	390 mm	
Height	885 mm (excl. legs, castors & worktop)	774 mm	